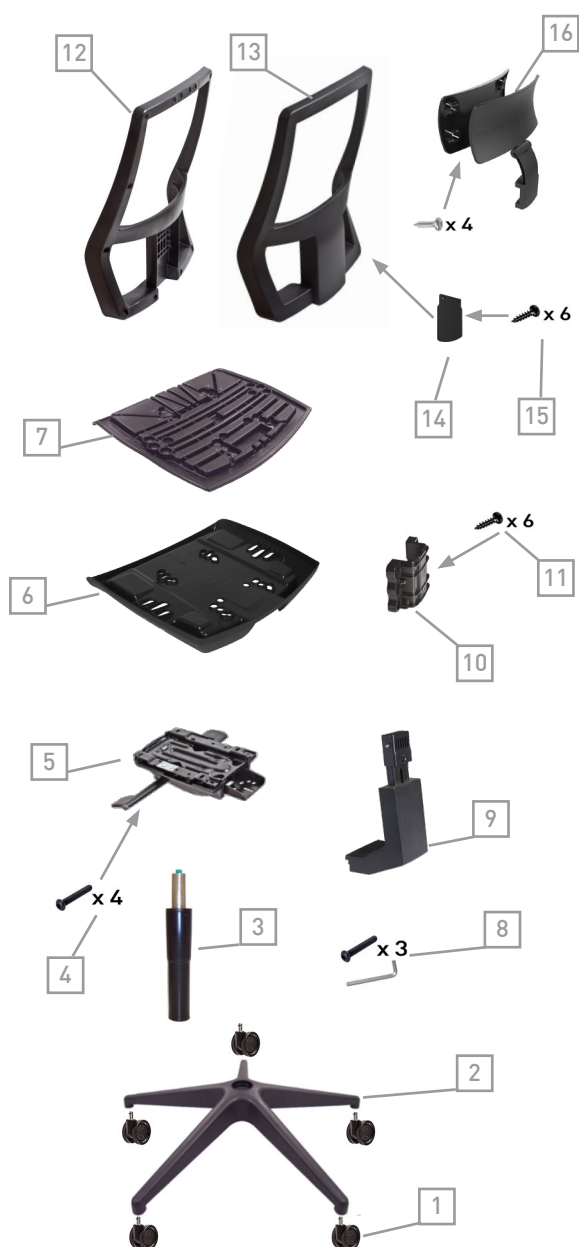


UNICA



UNICA with headrest

Sincro/Synchro



Codice/Code	Descrizione/Description
1. RWL010201	Ruota Work libera Ø65mm, perno Ø11mm, nera Work castor Ø65mm, push fit stem Ø11mm, black
2. B230201	Base B23 Ø700mm, perno Ø11mm, nera Base B23 Ø700mm, stem Ø11mm, black
3. P0901	Pompa a gas H.220/132, conifica H.100, nera Gas column H.220/132, lower gas cone H.100, black
4. 0609	Viti TBEI M6 x 30 T.Ø13 (con blocca filetto), brunito Screws BHCS M6 x 30 H.Ø13 (with thread lock), burnished
5. PP0501	Meccanismo sincro, 4 posizioni, nero Synchro mechanism, 4 positions, black
6. SS0701	Sottosedile art. 07 nero Outer seat art. 07 black
7. SD071801FE	Sedile interno art. 07 a 18 borchie e con barre in ferro, nero Inner seat art. 07 with 18 nuts and inner steel bars, black
8. KIT14097	Kit viti M8 x 30 TBEI, brunito + Chiave esagonale Screw kit M8 x 30 IHHEC, burnished + Hexagon key
9. SH4001LSY	Reggischienale art. 40 Up & Down, nero Backrest support art. 40 Up & Down, black
10. SSCH0201	Componente per fissaggio reggischienale 15/16/20/21 Component for fixing backrest support 15/16/20/21
11. 0552	Viti HILO TC Torx.20 6,5 x 13, brunito Screws HILO FHP Torx.20 6,5 x 13, burnished
12. SCI2101	Interno schienale art. 21, nero Inner backrest art. 21, black
13. SCE2101	Esterno schienale art. 21, nero Outer backrest art. 21, black
14. LM1401	Lama art. 14 per poggiatesta 70x112x6mm, nero Support art. 14 for headrest 70x112x6mm, black
15. 0552	Viti HILO TC Torx.20 6,5 x 13, brunito Screws HILO FHP Torx.20 6,5 x 13, burnished
16. PGTE0401 PGT10401	Poggiatesta interno ed esterno con viti autofilettanti, nero Headrest cover and shell with drywall screws, black
*Accessori/Optional:	
17. B230218	Base B23 in alluminio lucido Ø700mm, perno Ø11mm Polished aluminium base B23 Ø700mm, stem Ø11mm
18. P0918	Pompa a gas H.220/132, conifica H.75, cromata Gas column H.220/132, lower gas cone H.75, chromed
19. RWL020201	Ruota Work libera gommata Ø65mm, perno Ø11mm, nera Work soft castor Ø65mm, push fit stem Ø11mm, black
20. BR28DX-SX01	Bracciolo regolabile art. 28, destro+sinistro, nero Adjustable armrest art. 28, right+left, black
21. KIT13008	Kit viti M6 x 36 TBEI, brunito + Chiave esagonale per fissaggio braccioli Screw kit M6 x 36 IHHEC, burnished + Hexagon key for armrest fixing
22. SS1201	Sottosedile art. 12, nero Outer seat art. 12, black
23. PP0501TRS	Meccanismo 05 sincro con traslatore, 4 posizioni, nero Synchro mechanism 05 with seat slider, 4 positions, black
24. GMSDI07	Cuscino sedile in PU schiumato a freddo D.65 SP.35mm PU cold foamed cushion for inner seat D.65 TH.35mm
25. SCI21RT01	Interno schienale con rete nera art. 21, nero Inner backrest with black mesh art. 21, black
26. SCHAT04	Cuscino poggiatesta in PU schiumato a freddo PU cold foamed cushion for headrest

N.B.: altri braccioli e meccanismi sincro a scelta nel catalogo generale

N.B.: other armrests and synchro mechanisms are available on our general catalogue

UNICA with headrest

Back System



Codice/Code	Descrizione/Description
1. RWL010201	Ruota Work libera Ø65mm, perno Ø11mm, nera Work castor Ø65mm, push fit stem Ø11mm, black
2. B230201	Base B23 Ø700mm, perno Ø11mm, nera Base B23 Ø700mm, stem Ø11mm, black
3. P0901	Pompa a gas H.220/132, conifica H.100, nera Gas column H.220/132, lower gas cone H.100, black
4. 0609	Viti TBEI M6 x 30 T.Ø13 (con blocca filetto), brunito Screws BHCS M6 x 30 H.Ø13 (with thread lock), burnished
5. PP2301	Contatto permanente a 2 leve con sistema Up & Down integrato, nero Permanent contact with 2 levers and integrated Up & Down system, black
6. SS0701	Sottosedile art. 07 nero Outer seat art. 07 black
7. SD071801FE	Sedile interno art. 07 a 18 borchie e con barre in ferro, nero Inner seat art. 07 with 18 nuts and inner steel bars, black
8. SF2701	Soffietto art.27 PP23/22/29 95x240mm, nero Bellows art.27 PP23/22/03 95x240mm, black
9. TSH22	Supporto "T" corto per PP22-PP23-PP29 Support "T" short for PP22-PP23-PP29
10. 0552	Viti HILO TC Torx.20 6,5 x 13 , brunito Screws HILO FHP Torx.20 6,5 x 13 , burnished
11. SCI2101	Interno schienale art. 21, nero Inner backrest art. 21, black
12. SCE2101	Esterno schienale art. 21, nero Outer backrest art. 21, black
13. LM1401	Lama art. 14 per poggiatesta 70x112x6mm, nero Support art. 14 for headrest 70x112x6mm, black
14. 0552	Viti HILO TC Torx.20 6,5 x 13 , brunito Screws HILO FHP Torx.20 6,5 x 13 , burnished
15. PGTE0401 PGTI0401	Poggiatesta interno ed esterno con viti autofilettanti, nero Headrest cover and shell with drywall screws, black

*Accessori/Optional:

16. B230218	Base B23 in alluminio lucido Ø700mm, perno Ø11mm Polished aluminium base B23 Ø700mm, stem Ø11mm
17. P0918	Pompa a gas H.220/132, conifica H.75, cromata Gas column H.220/132, lower gas cone H.75, chromed
18. RWL020201	Ruota Work libera gommata Ø65mm, perno Ø11mm, nera Work soft castor Ø65mm, push fit stem Ø11mm, black
19. BR28DX-SX01	Bracciolo regolabile art. 28, destro-sinistro, nero Adjustable armrest art. 28, right+left, black
20. KIT13008	Kit viti M6 x 36 TBEI, brunito + Chiave esagonale per fissaggio braccioli Screw kit M6 x 36 IHHEC, burnished + Hexagon key for armrest fixing
21. PP2901	A-Sincro 29 con 3 leve e meccanismo Up & Down, nero A-Synchro 29 with 3 handles and Up & Down mechanism, black
22. GMSDI07	Cuscino sedile in PU schiumato a freddo D.65 SP.35mm PU cold foamed cushion for inner seat D.65 TH.35mm
23. SCI21RT01	Interno schienale con rete nera art. 21, nero Inner backrest with black mesh art. 21, black
24. SCHAT04	Cuscino poggiatesta in PU schiumato a freddo PU cold foamed cushion for headrest

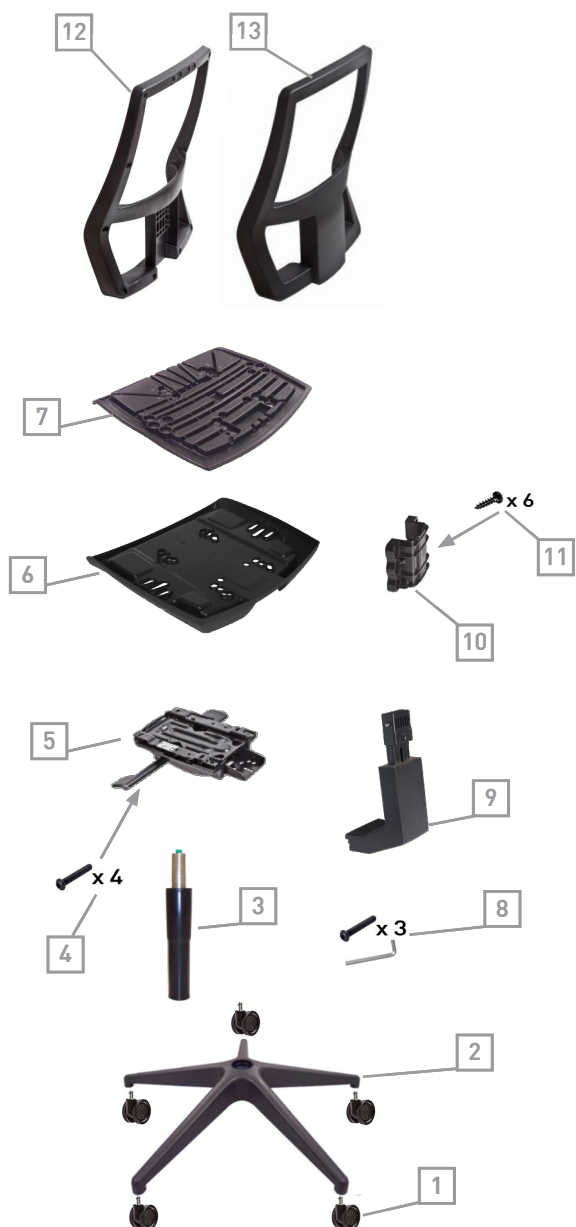
N.B.: altri braccioli a scelta nel catalogo generale

N.B.: other armrests are available on our general catalogue



UNICA

Sincro/Synchro



Codice/Code	Descrizione/Description
1. RWL010201	Ruota Work libera Ø65mm, perno Ø11mm, nera Work castor Ø65mm, push fit stem Ø11mm, black
2. B230201	Base B23 Ø700mm, perno Ø11mm, nera Base B23 Ø700mm, stem Ø11mm, black
3. P0901	Pompa a gas H.220/132, conifica H.100, nera Gas column H.220/132, lower gas cone H.100, black
4. 0609	Viti TBEI M6 x 30 T.Ø13 (con blocca filetto), brunite Screws BHCS M6 x 30 H.Ø13 (with thread lock), burnished
5. PP0501	Meccanismo sincro, 4 posizioni, nero Synchro mechanism, 4 positions, black
6. SS0701	Sottosedile art. 07 nero Outer seat art. 07 black
7. SD071801FE	Sedile interno art. 07 a 18 borchie e con barre in ferro, nero Inner seat art. 07 with 18 nuts and inner steel bars, black
8. KIT14097	Kit viti M8 x 30 TBEI, brunite + Chiave esagonale Screw kit M8 x 30 IHHEC, burnished + Hexagon key
9. SH4001LSY	Reggischienale art. 40 Up & Down, nero Backrest support art. 40 Up & Down, black
10. SSCH0201	Componente per fissaggio reggischienale 15/16/20/21 Component for fixing backrest support 15/16/20/21
11. 0552	Viti HILO TC Torx.20 6,5 x 13 , brunite Screws HILO FHP Torx.20 6,5 x 13 , burnished
12. SCI2101	Interno schienale art. 21, nero Inner backrest art. 21, black
13. SCE2101	Esterno schienale art. 21, nero Outer backrest art. 21, black

*Accessori/Optional:

14. B230218	Base B23 in alluminio lucido Ø700mm, perno Ø11mm Polished aluminium base B23 Ø700mm, stem Ø11mm
15. P0918	Pompa a gas H.220/132, conifica H.75, cromata Gas column H.220/132, lower gas cone H.75, chromed
16. RWL020201	Ruota Work libera gommata Ø65mm, perno Ø11mm, nera Work soft castor Ø65mm, push fit stem Ø11mm, black
17. BR28DX-SX01	Bracciolo regolabile art. 28, destro+sinistro, nero Adjustable armrest art. 28, right+left, black
18. KIT13008	Kit viti M6 x 36 TBEI, brunite + Chiave esagonale per fissaggio braccioli Screw kit M6 x 36 IHHEC, burnished + Hexagon key for armrest fixing
19. SS1201	Sottosedile art. 12, nero Outer seat art. 12, black
20. PP0501TRS	Meccanismo 05 sincro con traslatore, 4 posizioni, nero Synchro mechanism 05 with seat slider, 4 positions, black
21. GMSDI07	Cuscino sedile in PU schiumato a freddo D.65 SP.35mm PU cold foamed cushion for inner seat D.65 TH.35mm
22. SCI21RT01	Interno schienale con rete nera art. 21, nero Inner backrest with black mesh art. 21, black

N.B.: altri braccioli e meccanismi sincro a scelta nel catalogo generale

N.B.: other armrests and synchro mechanisms are available on our general catalogue



UNICA

Back System



Codice/Code	Descrizione/Description
1. RWL010201	Ruota Work libera Ø65mm, perno Ø11mm, nera Work castor Ø65mm, push fit stem Ø11mm, black
2. B230201	Base B23 Ø700mm, perno Ø11mm, nera Base B23 Ø700mm, stem Ø11mm, black
3. P0901	Pompa a gas H.220/132, conifica H.100, nera Gas column H.220/132, lower gas cone H.100, black
4. 0609	Viti TBEI M6 x 30 T.Ø13 (con blocca filetto), brunite Screws BHCS M6 x 30 H.Ø13 (with thread lock), burnished
5. PP2301	Contatto permanente a 2 leve con sistema Up & Down integrato, nero Permanent contact with 2 levers and integrated Up & Down system, black
6. SS0701	Sottosedile art. 07 nero Outer seat art. 07 black
7. SD071801FE	Sedile interno art. 07 a 18 borchie e con barre in ferro, nero Inner seat art. 07 with 18 nuts and inner steel bars, black
8. SF2701	Soffietto art.27 PP23/22/29 95x240mm, nero Bellows art.27 PP23/22/03 95x240mm, black
9. TSH22	Supporto "T" corto per PP22-PP23-PP29 Support "T" short for PP22-PP23-PP29
10. 0552	Viti HILO TC Torx.20 6,5 x 13 , brunite Screws HILO FHP Torx.20 6,5 x 13 , burnished
11. SCI2101	Interno schienale art. 21, nero Inner backrest art. 21, black
12. SCE2101	Esterno schienale art. 21, nero Outer backrest art. 21, black

*Accessori/Optional:

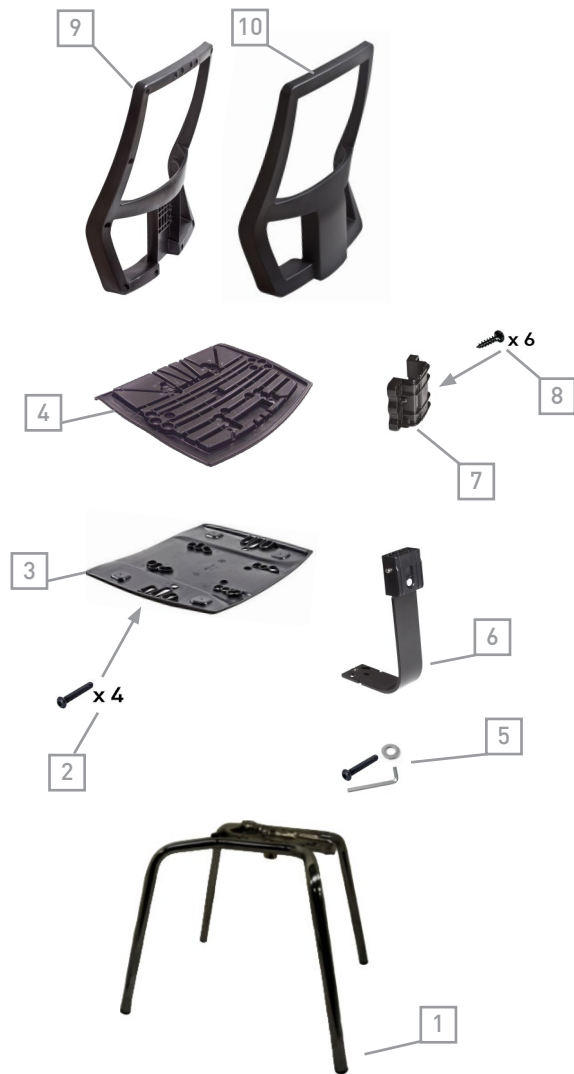
13. B230218	Base B23 in alluminio lucido Ø700mm, perno Ø11mm Polished aluminium base B23 Ø700mm, stem Ø11mm
14. P0918	Pompa a gas H.220/132, conifica H.75, cromata Gas column H.220/132, lower gas cone H.75, chromed
15. RWL020201	Ruota Work libera gommata Ø65mm, perno Ø11mm, nera Work soft castor Ø65mm, push fit stem Ø11mm, black
16. BR28DX-SX01	Bracciolo regolabile art. 28, destro+sinistro, nero Adjustable armrest art. 28, right+left, black
17. KIT13008	Kit viti M6 x 36 TBEI, brunite + Chiave esagonale per fissaggio braccioli Screw kit M6 x 36 IHHEC, burnished + Hexagon key for armrest fixing
18. PP2901	A-Sincro 29 con 3 leve e meccanismo Up & Down, nero A-Synchro 29 with 3 handles and Up & Down mechanism, black
19. GMSDI07	Cuscino sedile in PU schiumato a freddo D.65 SP.35mm PU cold foamed cushion for inner seat D.65 TH.35mm
20. SCI21RT01	Interno schienale con rete nera art. 21, nero Inner backrest with black mesh art. 21, black

N.B.: altri braccioli a scelta nel catalogo generale

N.B.: other armrests are available on our general catalogue



Fusto 4 gambe/4 Legs frame

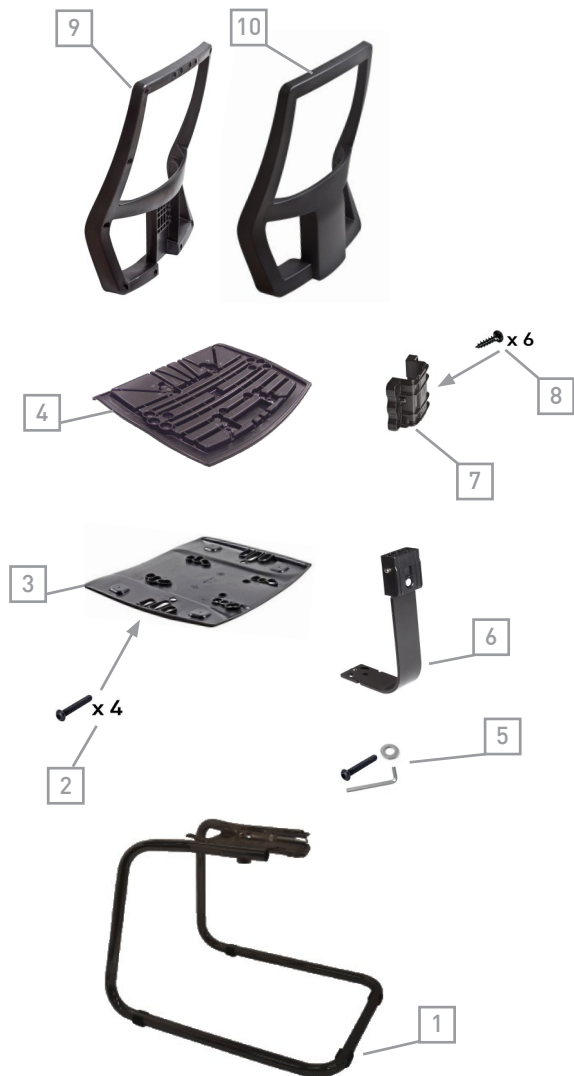


Codice/Code	Descrizione/Description
1. F4G01	Fusto 4 gambe, nero 4 legs frame, black
2. 0609	Viti TBEI M6 x 30 T.Ø13 (con blocca filetto), brunate Screws BHCS M6 x 30 H.Ø13 (with thread lock), burnished
3. SS1201	Sottosedile art. 12, nero Outer seat art. 12, black
4. SD071801FE	Sedile interno art. 07 a 18 borchie e con barre in ferro, nero Inner seat art. 07 with 18 nuts and inner steel bars, black
5. KIT15014	Kit vite M8 x 25 TBEI + Rondella Ø8 x 24 zincata + Chiave esagoale Screw kit M8 x 25 IHHEC + Washer Ø8 x 24 zinc + Hexagon key
6. LM1501	Lama reggischienale art.15 con attacco rapido (fissa), nera Backrest support art.15 rapid insert (fixed), black
7. SSCH0201	Componente fissaggio reggischienale 15/16/20/21 Component fixing backrest support 15/16/20/21
8. 0552	Viti HILO TC Torx.20 6,5 x 13 , brunate Screws HILO FHP Torx.20 6,5 x 13 , burnished
9. SCI2101	Interno schienale art. 21, nero Inner backrest art. 21, black
10. SCE2101	Esterno schienale art. 21, nero Outer backrest art. 21, black
*Accessori/Optional:	
11. F4G18	Fusto 4 gambe cromato Chromed 4 legs frame
12. BR27DX-SX01	Bracciolo fisso art. 27, destro+sinistro nero Fixed armrest art. 27 , right+left, black
13. KIT13008	Kit viti M6 x 36 TBEI, brunate + Chiave esagonale per fissaggio braccioli Screw kit M6 x 36 IHHEC, burnished + Hexagon key for armrest fixing
14. SCI21RT01	Interno schienale con rete nera art. 21, nero Inner backrest with black mesh art. 21, black

N.B.: altri braccioli a scelta nel catalogo generale

N.B.: other armrests are available on our general catalogue





Codice/Code	Descrizione/Description
1. GS0101	Slitta sedia, nera Cantilever, black
2. 0609	Viti TBEI M6 x 30 T.Ø13 (con blocca filetto), brunate Screws BHCS M6 x 30 H.Ø13 (with thread lock), burnished
3. SS1201	Sottosedile art. 12, nero Outer seat art. 12, black
4. SD071801FE	Sedile interno art. 07 a 18 borchie e con barre in ferro, nero Inner seat art. 07 with 18 nuts and inner steel bars, black
5. KIT15014	Kit vite M8 x 25 TBEI + Rondella Ø8 x 24 zincata + Chiave esagoale Screw kit M8 x 25 IHHEC + Washer Ø8 x 24 zinc + Hexagon key
6. LM1501	Lama reggischienale art.15 con attacco rapido (fissa), nera Backrest support art.15 rapid insert (fixed), black
7. SSCH0201	Componente fissaggio reggischienale 15/16/20/21 Component fixing backrest support 15/16/20/21
8. 0552	Viti HILO TC Torx.20 6,5 x 13 , brunate Screws HILO FHP Torx.20 6,5 x 13 , burnished
9. SCI2101	Interno schienale art. 21, nero Inner backrest art. 21, black
10. SCE2101	Esterno schienale art. 21, nero Outer backrest art. 21, black
*Accessori/Optional:	
11. GS0118	Slitta sedia, cromata Chromed cantilever
12. BR27DX-SX01	Bracciolo fisso art. 27, destro+sinistro nero Fixed armrest art. 27 , right+left, black
13. KIT13008	Kit viti M6 x 36 TBEI, brunate + Chiave esagonale per fissaggio braccioli Screw kit M6 x 36 IHHEC, burnished + Hexagon key for armrest fixing
14. SCI21RT01	Interno schienale con rete nera art. 21, nero Inner backrest with black mesh art. 21, black

N.B.: altri braccioli a scelta nel catalogo generale

N.B.: other armrests are available on our general catalogue

